



350 S. St. Charles St. Jasper, In. 47546
Ph. 812.482.2932 Fax 812.634.6632

www.ridetech.com

Part # 11172899
70-81 GM "F" Body Lower StrongArms
For Use w/ Shockwaves or CoilOvers

Components:

1	90000589	Driver side arm
1	90000590	Passenger side arm
2	90000896	Ball joint (includes boot, grease fitting, castle nut & cotter pin)
8	90001089	Polyurethane bushing half
4	90000516	1/2" I.D. Inner bushing sleeve installed in arms ('70-'72)
4	90000517	9/16" I.D. Inner bushing sleeve ('73-'81)
4	90002062	Aluminum bearing spacer
4	99250001	¼-28 grease fitting – Use Lithium grease in control arm bushings

Hardware:

2	99501024	1/2"-13 x 3 ¼" Gr.5 bolt	Shockwave to lower arm
2	99502001	1/2"-13 Nylok nut	Shockwave to lower arm
2	99371010	3/8" x 5 ½" USS bolt	Sway bar end link
2	99372002	3/8" Nylok nut	Sway bar end link
4	99501005	1/2"-13 x 3 ½" Gr.5 bolt	Lower arm to frame ('71 & '72)
4	99502007	1/2"-13 Nylok Jam Nut	Lower arm to frame ('71 & '72)
4	99561006	9/16"-12 x 3 ½" Gr.5 bolt	Lower arm to frame ('73 & '81)
4	99562005	9/16"-12 Nylok Jam Nut	Lower arm to frame ('73 & '81)

STRONGARMS

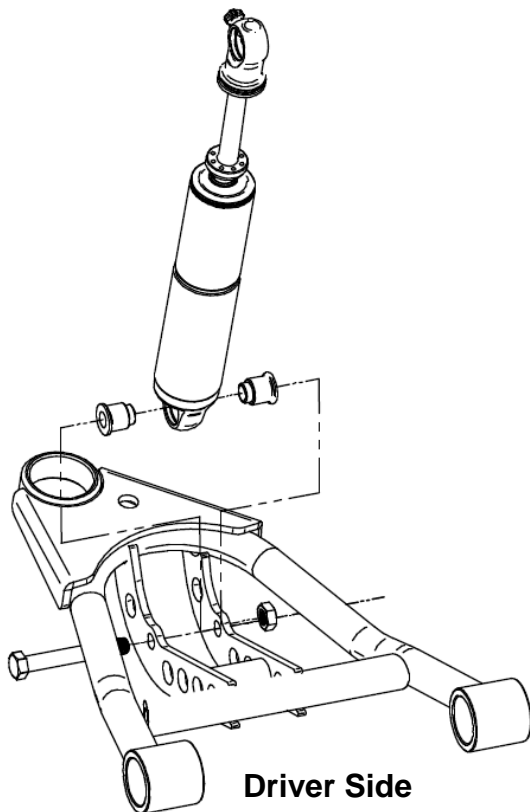
Installation Instructions



1. After removing the factory lower control arm, clean the bushing mounting surfaces on the frame and lubricate with Lithium grease.

2. Fasten the lower arm to the frame with the hardware supplied. There are two different size bushing sleeves supplied 1/2" and 9/16". '71 & '72 model years will use 1/2". '73-'81 will use 9/16".

Note: On some cars the frame brackets may be pinched and will need to be spread back apart to allow the bushing to slide in.



3. Swing the lower StrongArm up to the Shockwave or CoilOver and secure with the 1/2" x 3 1/4" bolt and Nylok nut, an aluminum spacer must be installed on each side of the bearing.

4. Slide the ball joint boot over the stud, then push the stud up through the spindle. Secure w/ the new castle nut and cotter pin supplied.

5. Grease the ball joints.

6. Lubricate lower arm bushings w/ Lithium grease.

STRONGARMS

Item #	Description	Qty.
1.	Passenger side arm	1
1.	Driver side arm	1
2.	Aluminum bearing spacer	4
3.	1/2"-13 x 3 1/4" bolt	2
4.	1/2"-13 Nylok nut	6
5.	Ball joint	8
6.	Inner bushing sleeve	4
7.	Poly bushing half	8
8.	1/2"-13 x 3 1/2" bolt	4
9.	1/2"-13 Nylok nut	6

