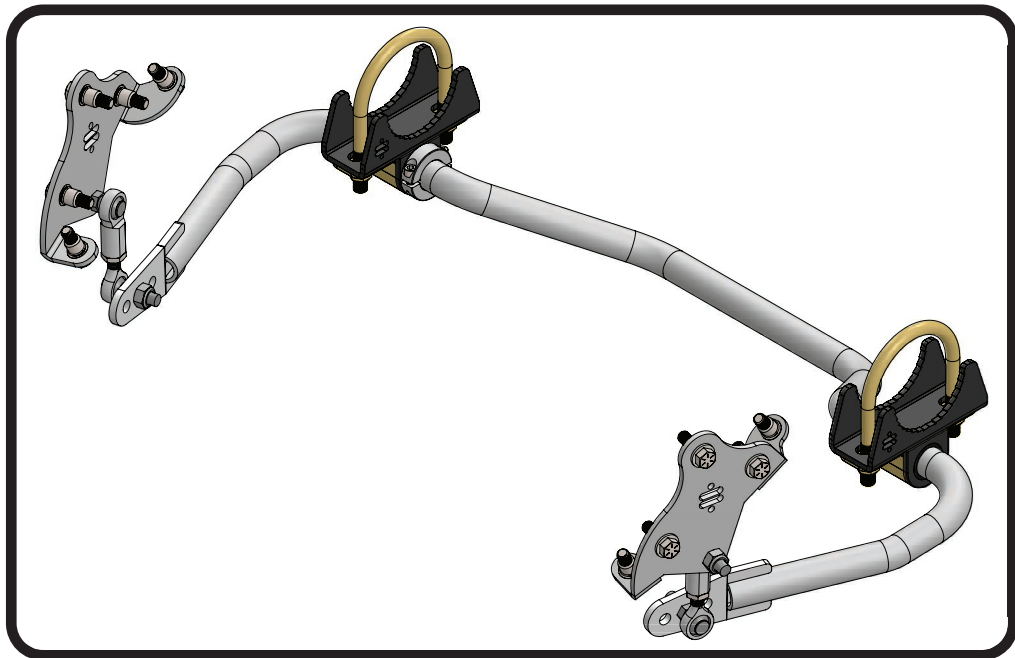
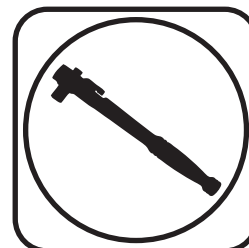
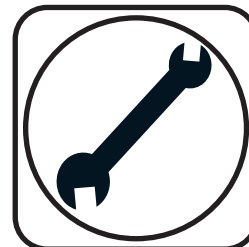




Part # 11059102 - 58-64 Chevy Fullsize Rear MuscleBar



Recommended Tools



58-64 Chevy Fullsize MuscleBar Installation Instructions

Table of contents

- Page 2..... Included Components
- Page 3..... Hardware List & Getting Started
- Page 4..... MuscleBar Installation
- Page 5..... MuscleBar Installation
- Page 6..... Final Tightening and Adjusting
- Page 7..... Rivnut Installation

Hardware Torque Specifications

- 3/8"-16..... 30 ftlbs
- 7/16"-20..... 55 ftlbs
- M10-1.5..... 37 ftlbs

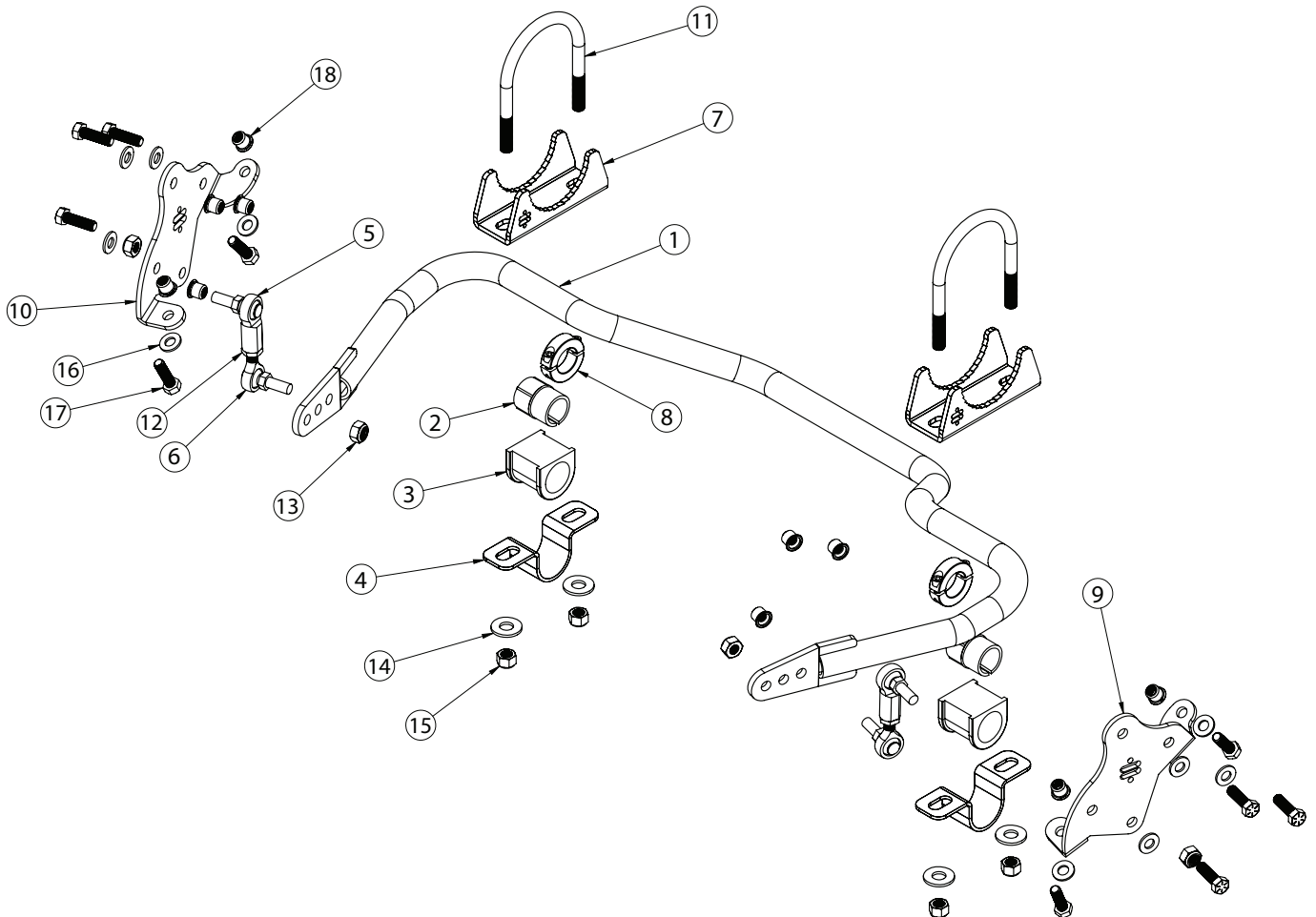
www.ridetech.com 

REV3 8/19/21



Major ComponentsIn the box

Item #	Part #	Description	QTY
1	90001353	Front SwayBar	1
2	70012496	Delrin SwayBar Bushing Liner	2
3	90002539	SwayBar Bushing	2
4	90001250	SwayBar Bushing Strap	2
5	70014735	10mm Female with Stud	2
6	70014736	10mm Male with Stud	2
7	90000740	Axle Bracket	2
8	70014301	Locking Rings	2
9	90001355	Linkage Frame Bracket - Driver	1
10	90001356	Linkage Frame Bracket - Passenger	1
11	90000088	7/16"-20 U-Bolt	2
	85000008	3/8" Rivnut Installation Tool - not shown	1





Hardware ListIn the box (KIT # 99010133)

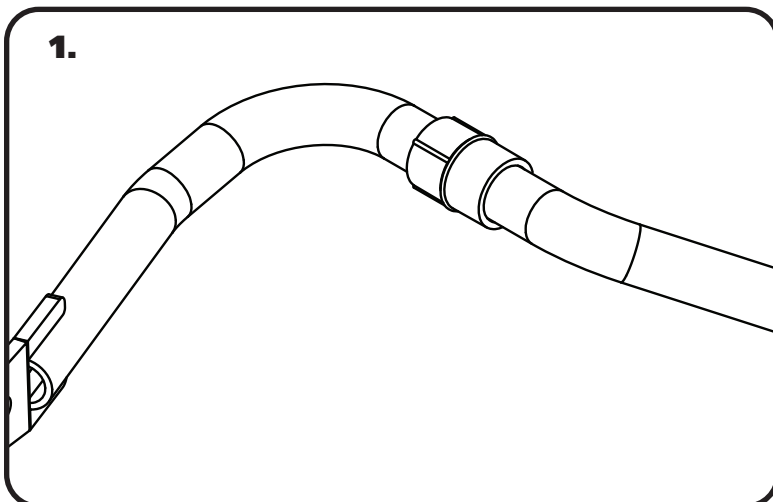
Item #	QTY	Part Number	Description
POSILINK			
12	2	99112001	M10-1.5 Hex Jam Nut
13	4	99112002	M10-1.5 Nylok Nut
AXLE MOUNT U-BOLT			
14	4	99433002	7/16" Flat Washer
15	4	99432002	7/16"-20 Nylok Nut
FRAME BRACKET TO FRAME			
16	10	99373002	3/8" SAE Flat Washer
17	10	99371005	3/8"-16 x 1 1/4" Hex Bolt
18	10	99372007	3/8"-16 Rivnut
	1	85000007	17/32" Drill Bit

Getting Started.....

Congratulations on your purchase of the Ridetech Rear Muscle Bar. This system has been designed to give your car excellent handling along with a lifetime of enjoyment. One of the key features of this MuscleBar: Posilinks - The Posilink makes the reaction of the swaybar instantaneous, tune ability - this Musclebar has 3 positions to aid in the tuning of the handling of your car.

The MuscleBar has 3 positions to aid in the tuning of your car's handling. We start in the front position and tune from there. The positions to the rear of the car will make the MuscleBar stiffer.

Note: This SwayBar Kit utilizes a Delrin Liner in the SwayBar Bushing. The Delrin Liner allows the SwayBar to move freely and quietly in the Bushing. The Delrin is self-lubricating, no lubrication is required.

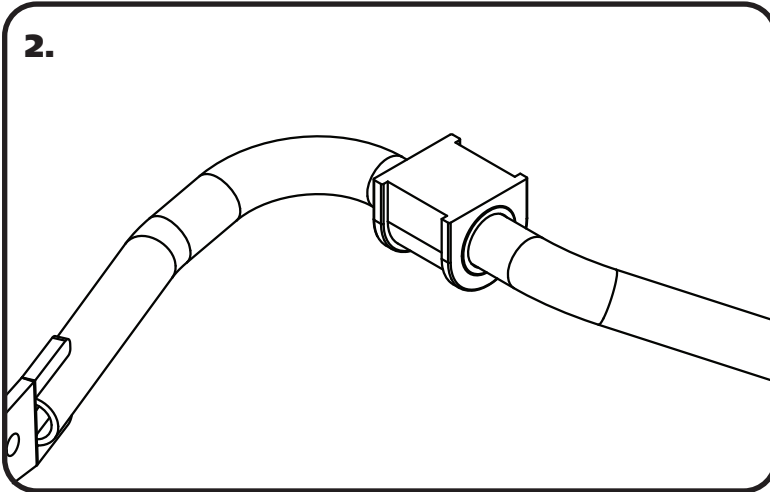


1. Open the Delrin Liner at the split and slip it over the SwayBar. Position it in the center of the straight area that it will ride in. Do this on both ends of the swaybar.



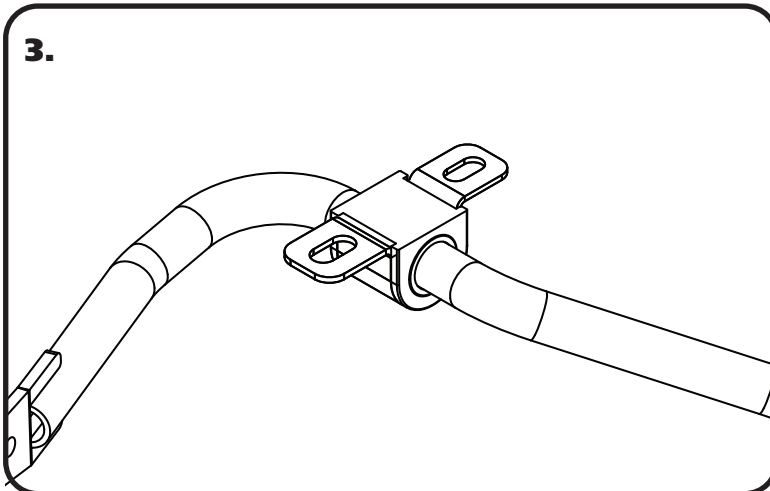
MuscleBar Installation

2.



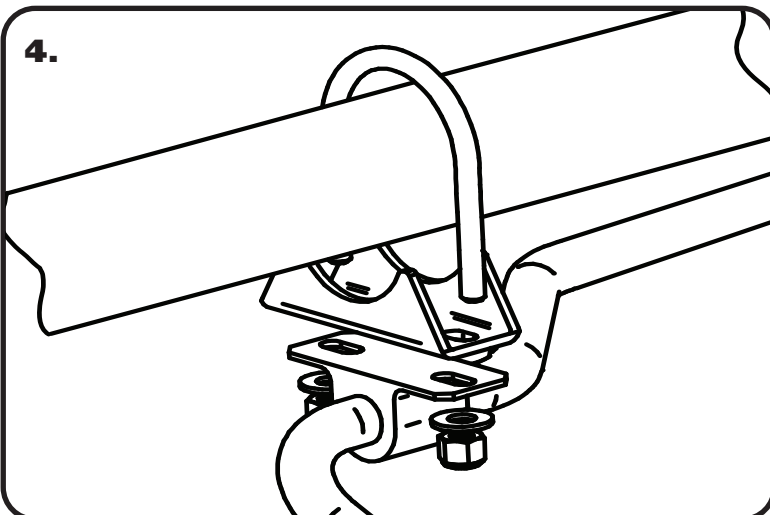
2. Open the SwayBar Bushing at the split and slip it **OVER** the Delrin Liner. Do this on both Delrin Liners.

3.



3. Install the Bushing Straps over the SwayBar Bushings.

4.



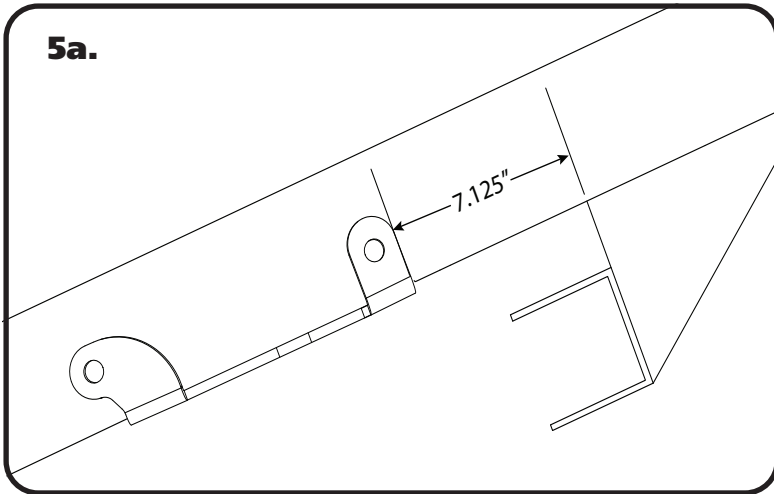
4. Install the U-bolts over the axle, slide the saddles onto the u-bolts along with the MuscleBar. The MuscleBar should be centered on the rear end. Install the 7/16" washer and Nylok nut loosely for now. **DO NOT TIGHTEN THE NUTS AT THIS TIME.**

Note: It may be necessary to trim the panhard mount to get the saddle to sit in place properly on the axle tube. The saddle should be level with the ground.

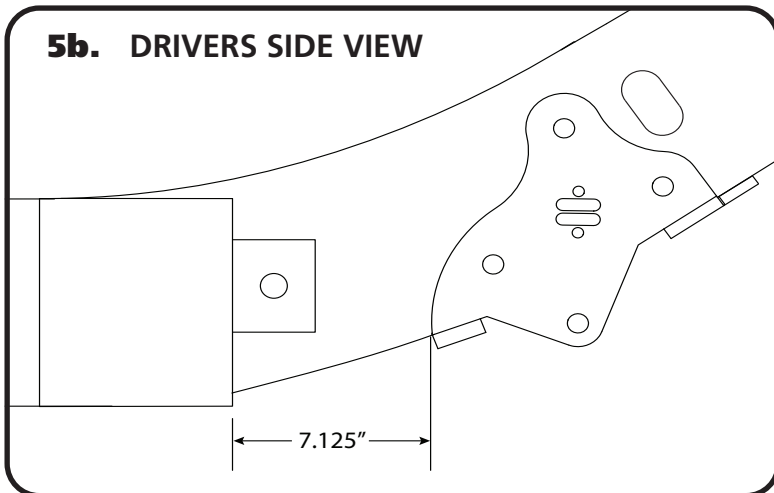
Note: With the arms parallel with the ground the rear of the Muscle bar should be angle down towards the ground.



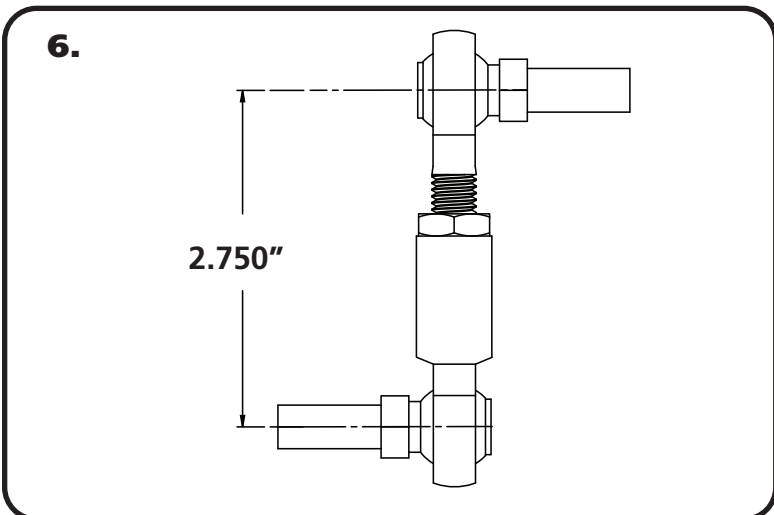
MuscleBar Installation



5a. There is a Driver and Passenger frame bracket. In **Illustrations 5a & 5b**, the drivers side is shown. The bracket gets located by measuring from the lower control arm frame bracket. The front lower corner of the frame bracket is located **7 1/8"** (measuring towards the rear of the car) from the factory control arm bracket. This measurement is taken right where the factory bracket attaches to the frame.



5b. This illustration shows the frame bracket as looking from the side. With the frame bracket held in place mark the (5) mounting holes. Drill these holes with the supplied 17/32" drill bit. Install the supplied (5) 3/8"-16 Rivnuts using the tool supplied in the kit. **Refer to the Rivnut installation instructions on PAGE 7 for proper Rivnut installation.** Install a 3/8" Flat Washer one each of (5) 3/8"-16 x 1 1/4" Hex Bolts. Attach the bracket to the frame with the bolts/washers.



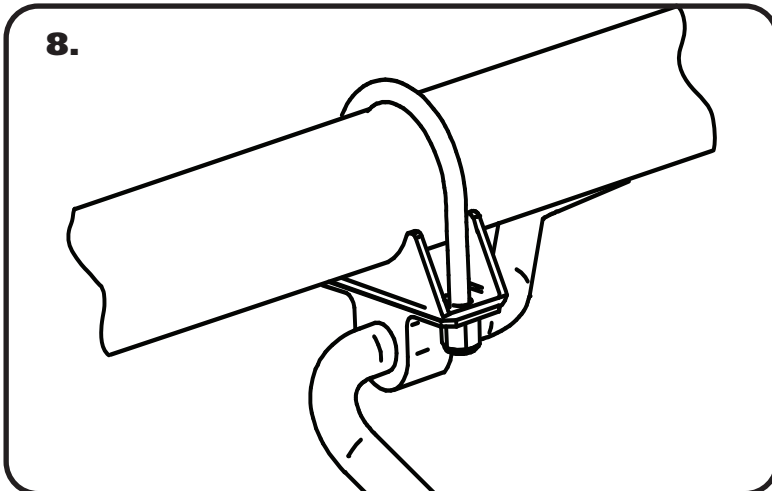
6. Assemble the end links. First, thread a M10-1.5 Jam Nut onto the threads of the male end link body. Next, thread the male end link body into the female end link body. Set them to 2 3/4" center to center of the end links. Keep the studs of the end links 180° of each other and tighten the jam nut against the female end link.



Final Tightening and Adjusting



7. Install the PosiLinks in the frame brackets and in the FRONT hole in the MuscleBar. **The Posilinks are installed with the stud on the upper PosiLink pointing outward and the stud on the lower PosiLink pointing to the inside of the car.** Install the 10mm Nylok on Posilink and tighten nut.



8. Tighten the 7/16" Nylok nuts on the U-bolts making sure the Musclebar is centered on the rear end.



9. Install the locking rings on the outside of each bushing assembly. Use a hex key to take the locking ring apart. Reassemble it on the bar positioned next to the inside of the bushing assembly. Push the locking ring up against the bushing assembly and tighten.

10. The MuscleBar has (3) holes in the arms for adjustment. The front hole is the standard hole. You can stiffen the bar by moving the Posilink in to the holes closer to the differential. We recommend going one set of holes at a time when tuning. Going too stiff could make the car oversteer.



Rivnut® Installation & Specs

1. Drill Hole in Frame using the SUPPLIED DRILL BIT keeping the Drill square with the metal.
2. We recommend installing (2) 3/8" Flat Washers between the bolt head and the lower anvil of the installation tool. Thread a Rivnut® onto the supplied Tool. Thread the Rivnut all the way onto the Tool until it stops.
3. Insert the Tool and Rivnut® into the drilled hole 90° to the Frame Rail.
4. The Tool requires (2) 9/16" Wrenches to use. A Ratchet can be used on the top of the Tool.

KEEP THE TOOL AND RIVNUT 90° TO THE SURFACE WHILE TIGHTENING

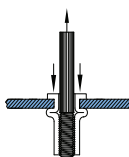
5. Put a 9/16" Wrench on the Lower Hex of the tool. Use a Wrench or Ratchet on the Top hex to Tighten.
6. Hold the Wrench in one position and turn the TOP HEX CLOCKWISE to engage the Rivnut®. Keep Turning the TOP WRENCH until you feel a positive stop and you can't turn the TOP WRENCH anymore.
7. Break the Tool loose by turning the TOP HEX counterclockwise and thread the Tool out of the Rivnut®

THE DATA BELOW ILLUSTRATES THE STRENGTH OF THE RIVNUT®

RIVNUT® Fastener Engineering Data

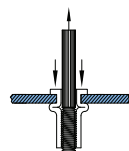
Upset Load (lbs.)		
RIVNUT * Size	Steel	
	Min. Grip	Max. Grip
3/8-16	4965	5325

Fig. 1



Ultimate thread strength (lbs.)		
RIVNUT * Size	Steel	
	Min. Grip	Max. Grip
3/8-16	11500	10450

Fig.2



Ultimate tensile strength (lbs.)	
RIVNUT * Size	Steel
3/8-16	3900

Fig. 3

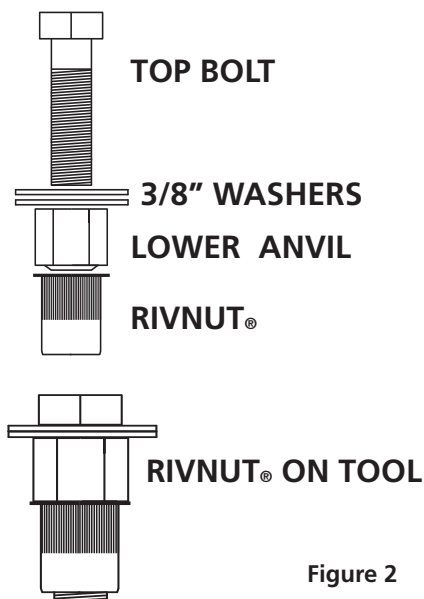
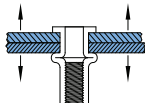


Figure 2

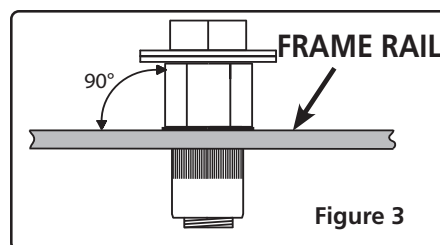


Figure 3

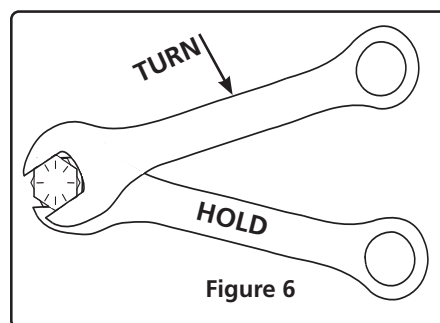


Figure 6

**Single Shear Strength 3/8" Grade 5 Bolt
3,975.8 lbs**