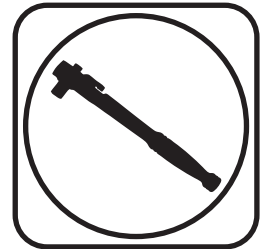




### Part # 11519120 - 1997-2013 C5/C6 Front Sway Bar



#### Recommended Tools



## 1997-2013 C5/C6 Front Sway Bar Installation Instructions

Table of contents	
Page 2.....	Included Components and Hardware List
Page 3.....	Sway Bar Installation

FOR THE BEST PERFORMANCE, WE RECOMMEND USING RIDETECH'S REAR SWAYBAR. THE PART NUMBER FOR THE REAR SWAYBAR IS 11519122.

Hardware Torque Specifications	
Bushing Strap .....	43 ftlbs
End Link Nuts.....	53 ftlbs

# Major Components .....In the box

Part #	Description	QTY
90001231	Front Sway Bar	1
70012394	Delrin Sway Bar Bushing Liner	2
70014280	Sway Bar Bushing	2
90001443	Bushing Strap Spacer	4
90001265	12mm End Link Adapter Bushing - Thin	2
90001264	End Link Adapter Spacer - Thick	2

## END LINK ASSEMBLY

Part #	Description	QTY
90002573	12mm 90 Degree End Link	4
90001263	End Link Spacer	2

## Getting Started.....

**FOR THE BEST PERFORMANCE, WE RECOMMEND USING RIDETECH'S REAR SWAYBAR. THE PART NUMBER FOR THE REAR SWAYBAR IS 11519122.**

This Sway Bar Kit utilizes a Delrin Liner in the Sway Bar Bushing. The Delrin Liner allows the Sway Bar to move freely and quietly in the Bushing. The Delrin is self-lubricating, no lubrication is required.

**NOTE: THIS KIT UTILIZES THE OEM BUSHING STRAPS AND MOUNTING HARDWARE.**

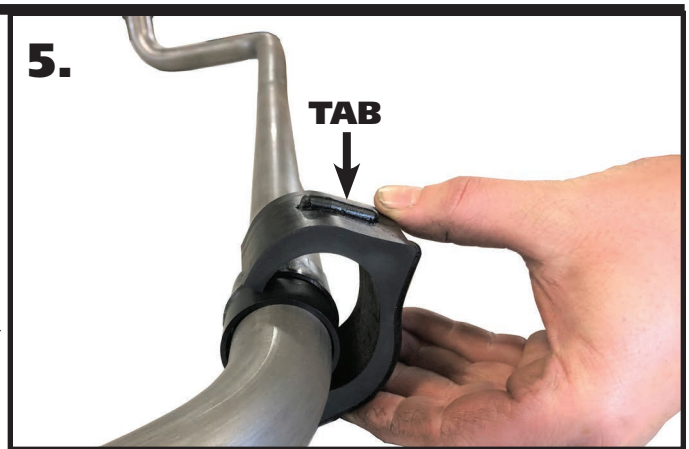
**1. Jack the vehicle up to a safe working height and support with jack stands. Make sure the jack stands are stable before working under the car.**

2. Remove the stock sway bar.

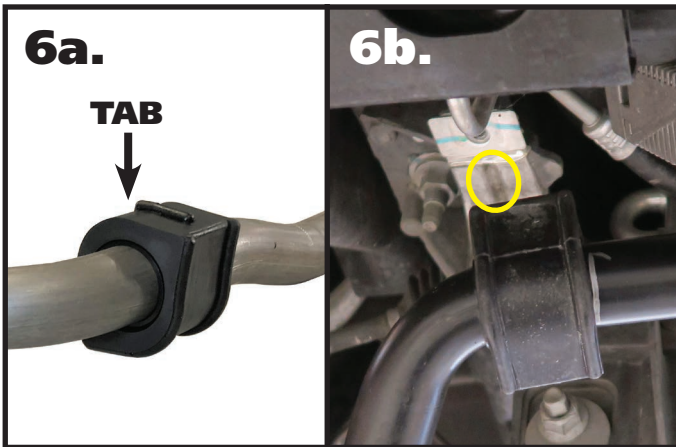
3. Remove the OEM end links.



**4.** Open the Delrin Liner at the split and slip it over the Sway Bar. Position it in the area that the bushing will ride based on the location of the stock swaybar. Do this on both ends of the swaybar.



**5.** Open the Sway Bar Bushing at the split and slide it **OVER** the Delrin Liner. The Bushing needs to be installed with the TAB upward and the radius to the rear. Do this on both Delrin Liners. **Images 5 & 6** illustrate the correct positioning of the bushings.



**6a & 6b.** Image 6a illustrates the proper positioning of the swaybar bushing. **6b.** Slide the Sway Bar into position on the car with the Sway Bar arms below the tie rods. The TAB of the bushing will nest into a SLOT in the cradle.



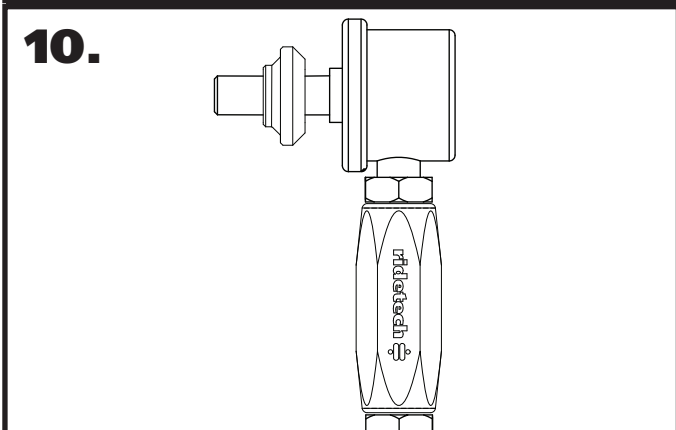
**7.** While holding the swaybar in position, reinstall the OEM bushing straps using the OEM hardware. Leave the hardware loose until the linkage is attached to the swaybar.



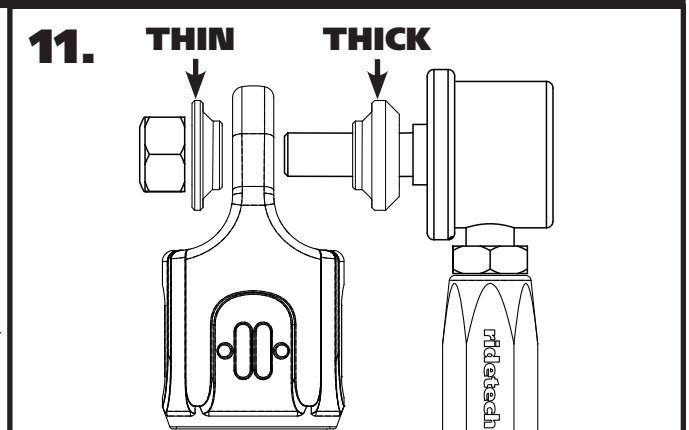
**8.** If you are experiencing an excessive gap between the cradle and bushing straps, install the (4) supplied spacers between the strap and cradle. Excessive gap would be 5/16" or more.



**9.** Attach the Linkage to the lower control arm with the threads pointing forward. It will attach to the OEM swaybar tab on the lower control arm. Torque the hardware.



**10.** Slide the THICK T-bushing onto the stud of the loose end link. Use **Image 10** as a reference for proper direction of the t-bushing. The end links are supplied with the jam nuts, you will need to tighten the jam nuts once the end links are installed. They can be adjusted to ensure zero preload on the bar.



**11.** Insert the T-bushing/End link into the end of the swaybar. Install the THIN T-bushing onto the threads of the end link that are sticking through the swaybar end. Install the Nut supplied on the end link and torque the nuts. Torque the bushing strap hardware and tighten the end link jam nuts.