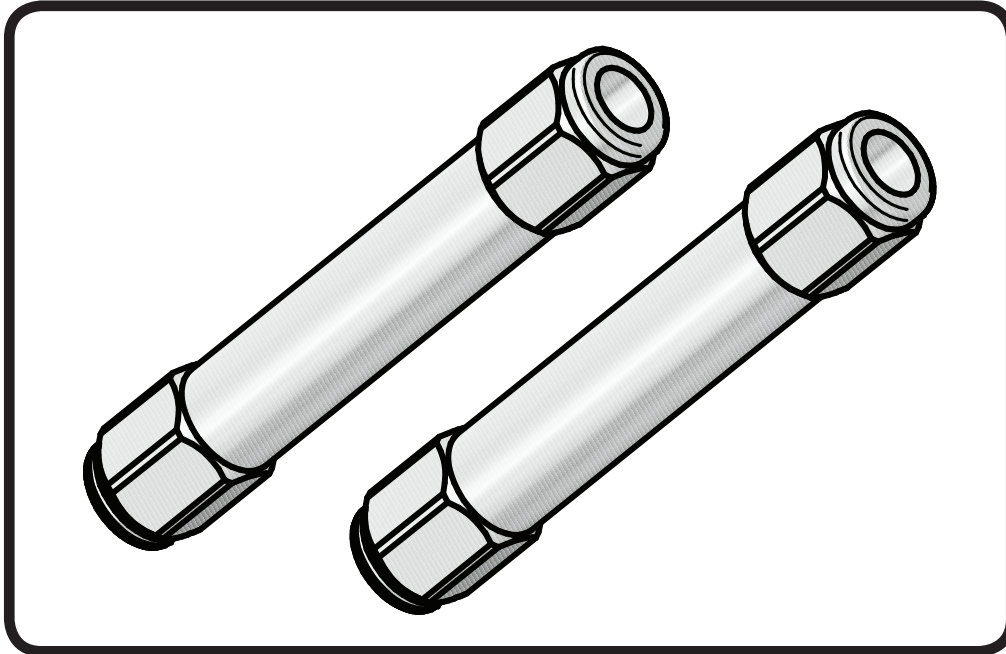




Part # 12089400 - 65-70 Mustang Billet Tie Rod Adjuster

Recommended Tools



Major ComponentsIn the box

QTY	Part Number	Description
2	90000138	Tie Rod Adjuster
2	99800000	1 1/16" -16 Right Hand Jam Nut
2	99800001	1 1/16" -16 Left Hand Jam Nut

NOTES:

This Tie Rod Adjuster is designed to take place of the OEM steel sleeve.

One end of the adjuster has a **groove** cut in it, this is the **LEFT HAND** threaded side.

When installing the Tie Rod Adjuster, use antisieze compound on the threads.

FOR YOUR SAFETY, THE TIE RODS NEED A MINIMUM 1 1/32" OF THREAD ENGAGEMENT INTO THE TIE ROD ADJUSTER. USE THE SIGHT HOLES IN THE SIDE OF THE TIE ROD ADJUSTER TO ENSURE PROPER THREAD ENGAGEMENT.