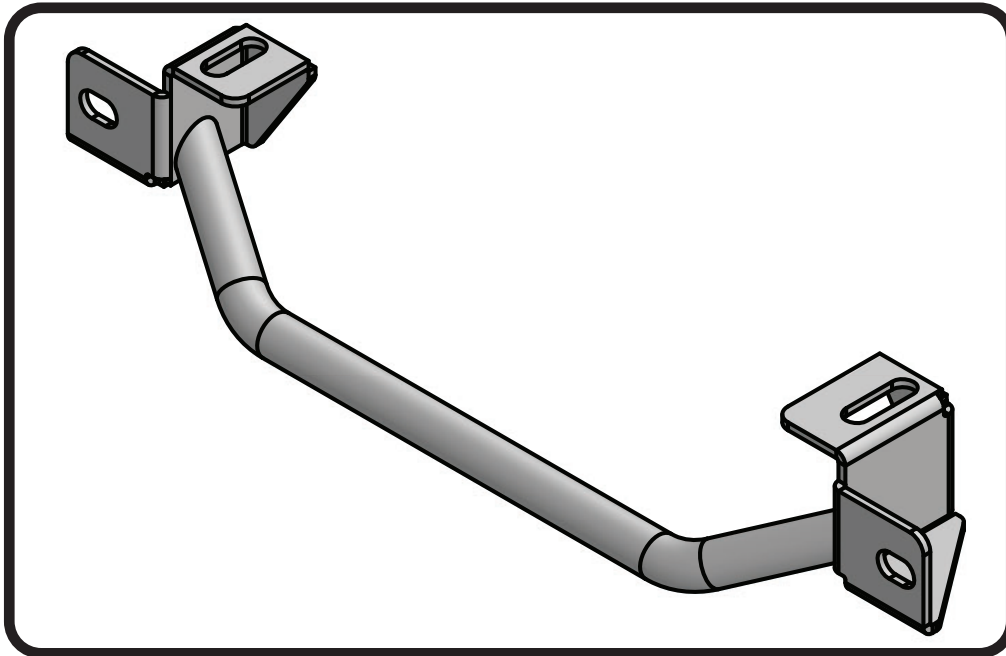
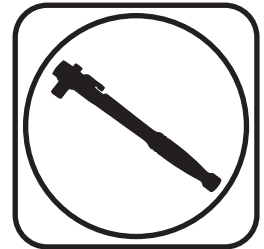




Part # 12289550 - 1961-1965 Falcon V8 Crossmember Brace



Recommended Tools



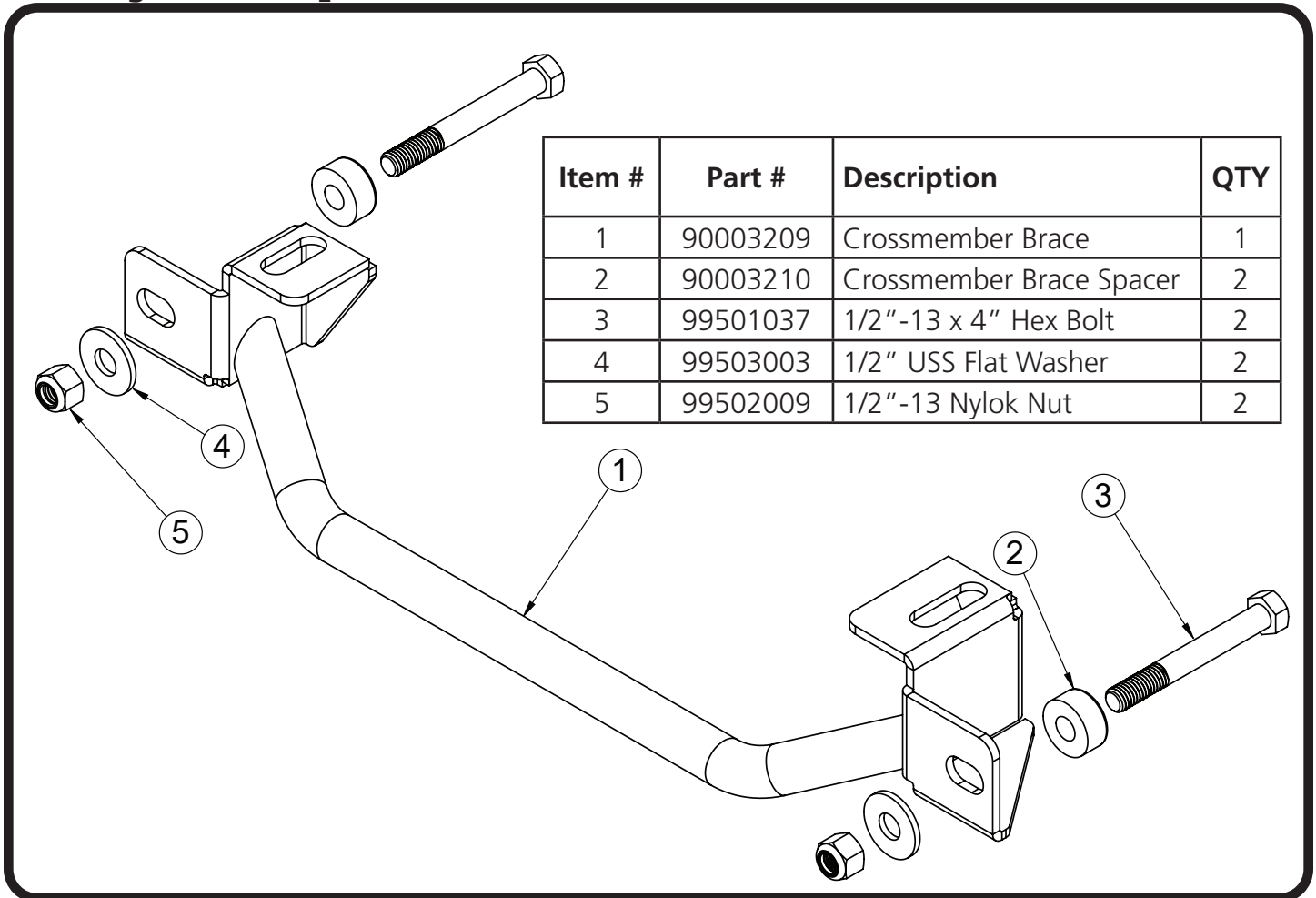
1961-1965 Falcon Crossmember Brace Installation Instructions

Table of contents
Page 2..... Included Components and Installation

THIS CROSSMEMBER BRACE IS DESIGNED TO BE USED WITH V8 ENGINES ONLY!

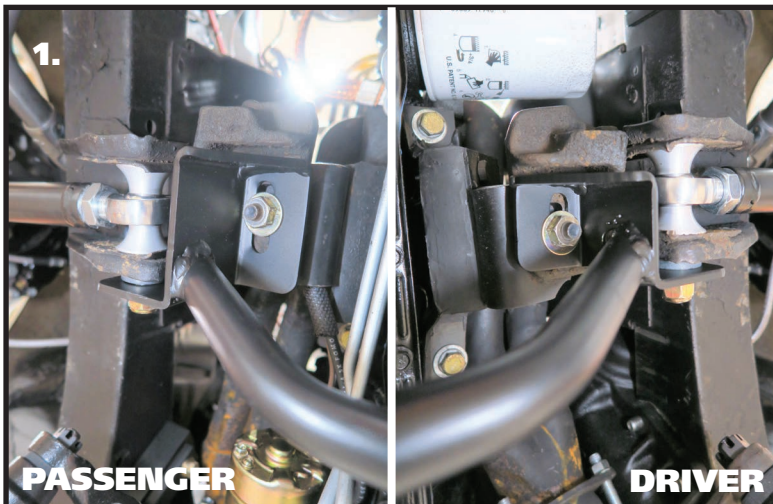


Major ComponentsIn the box



Item #	Part #	Description	QTY
1	90003209	Crossmember Brace	1
2	90003210	Crossmember Brace Spacer	2
3	99501037	1/2"-13 x 4" Hex Bolt	2
4	99503003	1/2" USS Flat Washer	2
5	99502009	1/2"-13 Nylok Nut	2

Brace Installation



5. Remove the lower control arm bolt & lower motor mount nut. Replace the lower control arm bolt with the 1/2"-13 x 4" bolt supplied with the brace. The bolt needs to be installed from the front side. Slide a supplied spacer on each new bolt. Position the crossmember brace on the new bolt and lower motor mount stud. Reinstall the motor mount hardware. Install a 1/2" flat washer & 1/2"-13 nylok nut on the lower control arm bolt. Torque the control arm hardware to 75 ftlbs. Torque the motor mount hardware to 30 ftlbs.