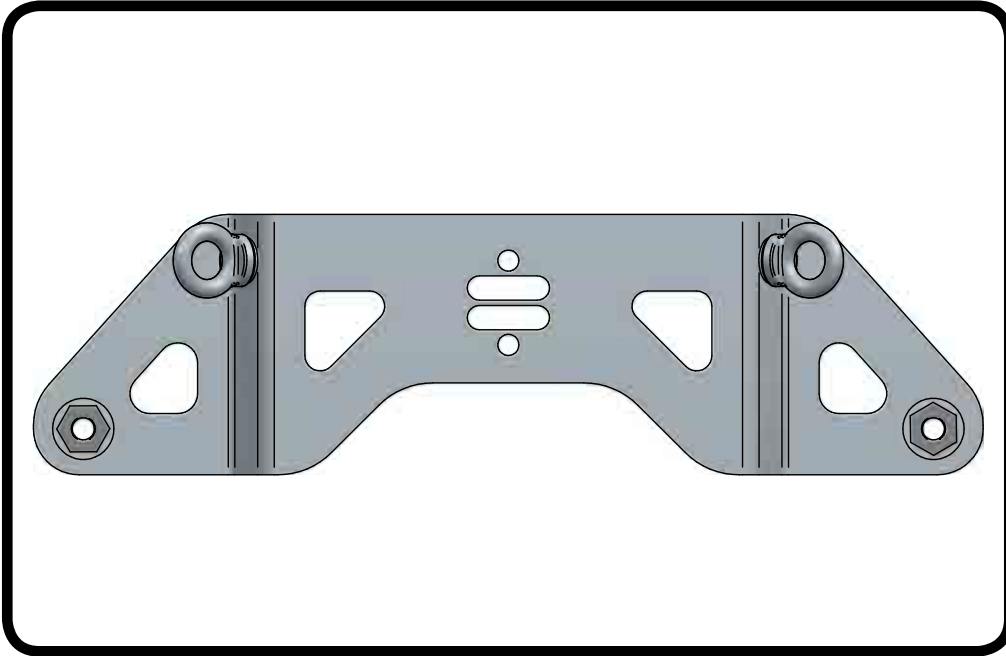




**Part # 41583002 - 1997-2004 C5 Corvette Lap Belt Bracket**



**Recommended Tools**



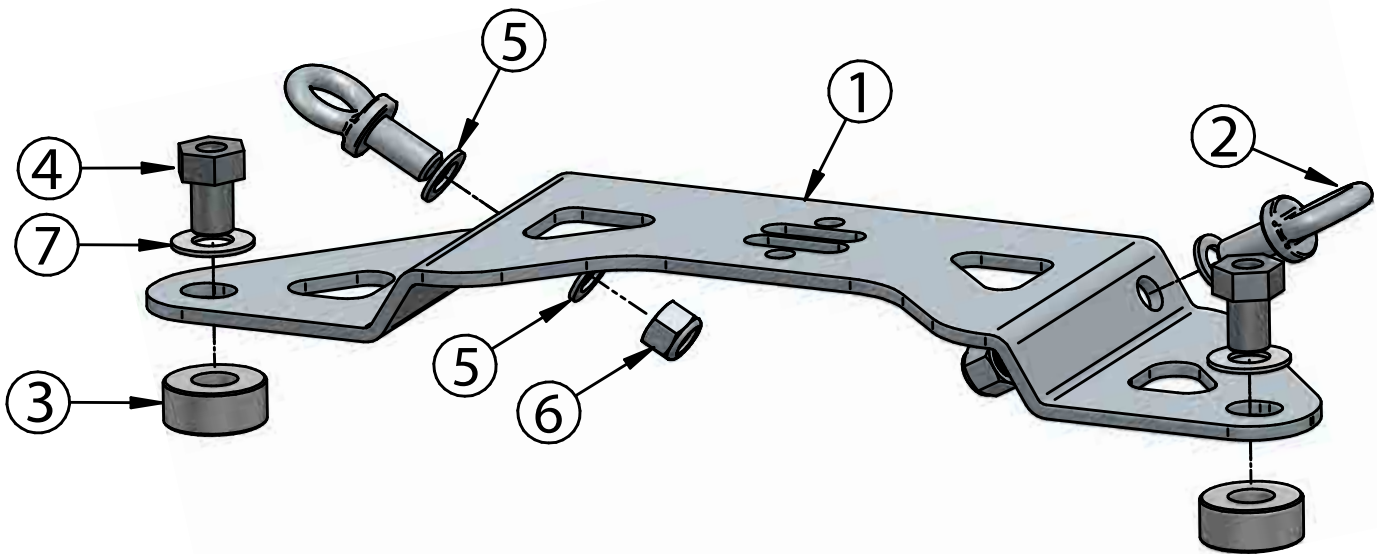
**1997-2004 C5 Corvette Lap Belt Bracket  
Installation Instructions**

Table of contents  
Page 2..... Included components and Hardware List  
Page 3..... Lap Belt Bracket



### Major Components .....In the box

Item #	Part #	Description	QTY
1	41580003	Lap Belt Bracket	1
2	99000007	Lap Belt Eye Bolt	2
3	70012334	Lap Belt Bracket Spacer	2
3	90002493	Lap Belt Bracket Nut	2

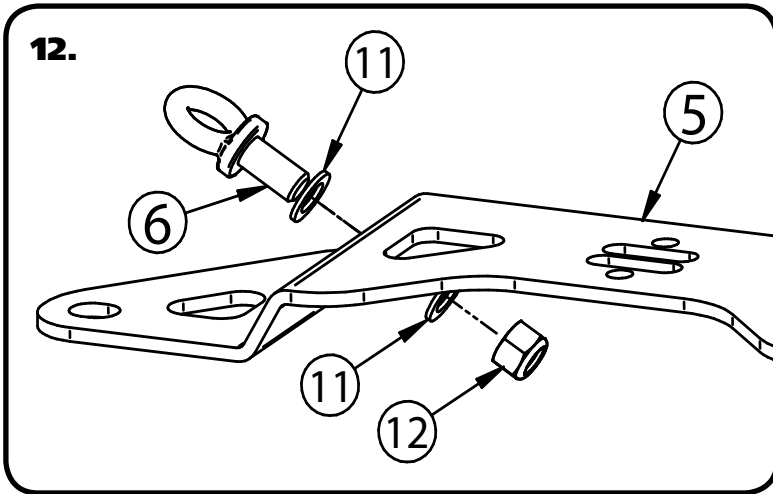


### Hardware List .....In the box

Item #	QTY	Part Number	Description	Location
5	4	99433006	7/16" MIL Spec Washer	Eye Bolt to Bracket
6	2	99432002	7/16"-20 Nylok Nut	Eye Bolt to Bracket
7	2	99503001	1/2" SAE Flatwasher	Lap Belt Bracket Nut

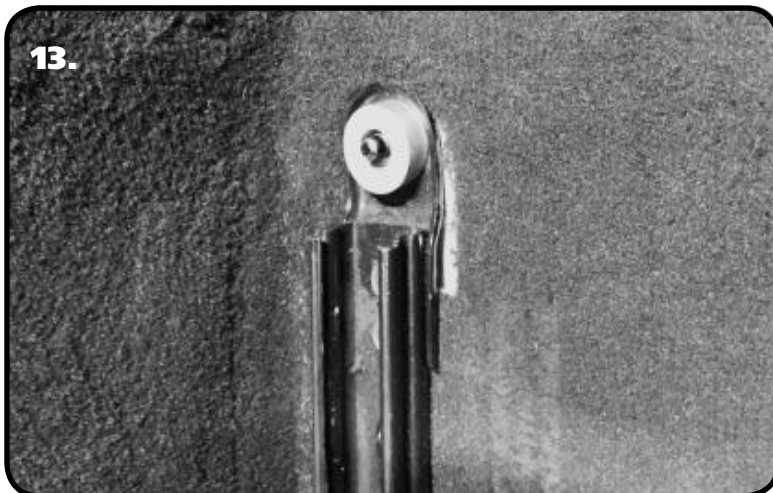


### Lap Belt Bracket Installation

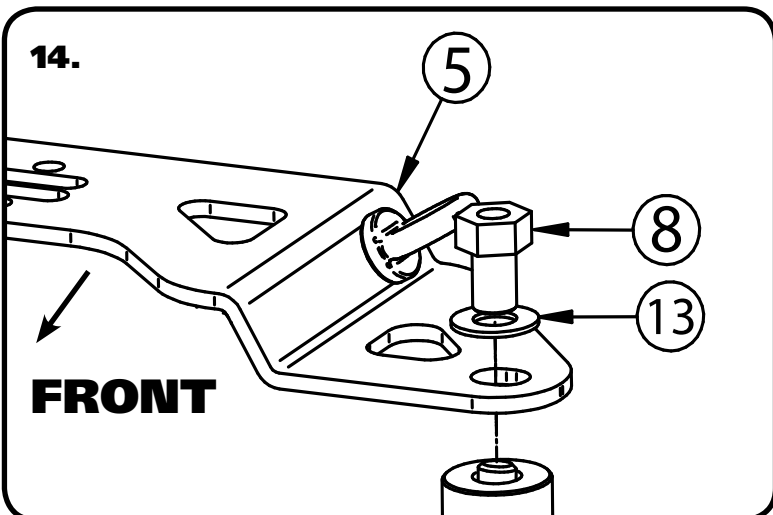


Start by sliding the Seat forward and removing the (2) Tracking Mounting Nuts.

**1.** Install (1) 7/16" Washer[11] on the Lap Belt Eye Bolt[6] and insert it into the Lap Belt Bracket[5]. Install a 2nd 7/16" Washer[11] on the bottom side of the Bracket and finally a 7/16"-20 Nylok Nut[12]. Tighten the Nut with the Eyebolt parallel with the Bracket.



**2.** Install a Lap Belt Bracket Spacer[7] on each Seat Track Stud sticking up. Center the Spacer on the Stud.



**3.** Sit the Bracket[5] on the Spacer with the holes centered over the Seat Studs. Center the Spacers and Bracket on the Studs. Install a 1/2" Flatwasher on each of the Shoulder Nut[8]. Thread the Nuts on the Studs with the Hex up. The Shank side of the Nut will Thread onto the Studs with the Shank going through the Bracket and Spacer. Tighten Both Nuts.

If you purchased a 2nd Bracket for the Passenger side, install in now following Steps 1-3.