



350 S. St. Charles St. Jasper, In. 47546
Ph. 812.482.2932 Fax 812.634.6632
www.ridetech.com

Part # 11322899
78-88 GM "G" Body Lower StrongArms
For Use w/ Shockwaves or CoilOvers

Components:

1	90000657	Driver side lower arm
1	90000658	Passenger side lower arm
2	90000896	Ball joint
2	90000572	Inner bushing sleeve
2	90000573	Inner bushing sleeve
4	90001085	Poly bushing half
4	90001089	Poly bushing half
4	90002062	Aluminum spacer – Shock to lower arm
4	99250001	1/4"-28 grease fitting – Use Lithium grease on frame bushings

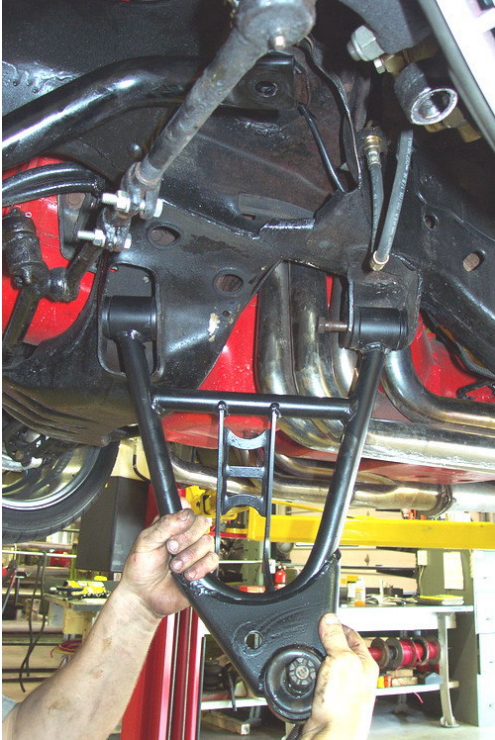
Hardware:

2	99501024	1/2"-13 x 3 1/4" Gr.5 bolt	Shockwave to lower arm
2	99502001	1/2"-13 Nylok nut	Shockwave to lower arm

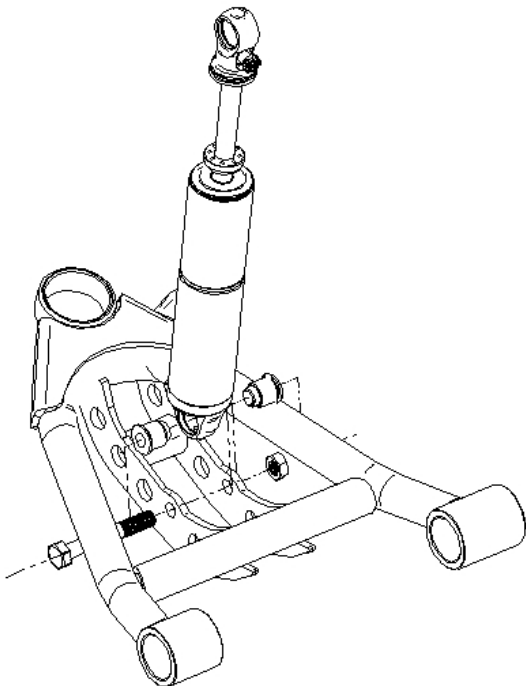
STRONG ARMS™

by Air Ride Technologies

Installation Instructions



1. After removing the factory lower control arm, clean the bushing mounting surfaces on the frame and lubricate with lithium grease.
2. Fasten the lower arm to the frame with the factory hardware.



3. Swing the lower StrongArm up to the shock and secure with the $\frac{1}{2}$ " x $3\frac{1}{4}$ " bolt and Nylok nut, an aluminum spacer must be installed on each side of the bearing.
4. Slide the ball joint boot over the stud, then push the stud up through the spindle. Secure w/ the new castle nut and cotter pin supplied.
5. Grease the ball joints.
6. Lubricate control arm bushing with Lithium grease.

STRONG ARMS™

by Air Ride Technologies

Item #	Description	Qty.									
1.	Driver side arm	1									
2.	Ball Joint	1									
3.	Inner bushing sleeve – narrow	1									
4.	Inner bushing sleeve – wide	1									
5.	Poly bushing half – wide	2									
6.	Poly bushing half – narrow	2 <tr><td>7.</td><td>Aluminum bearing spacer</td><td>2</td></tr> <tr><td>8.</td><td>1/2"-13 x 3 1/4" bolt</td><td>1</td></tr> <tr><td>9.</td><td>1/2"-13 Nylok nut</td><td>1</td></tr>	7.	Aluminum bearing spacer	2	8.	1/2"-13 x 3 1/4" bolt	1	9.	1/2"-13 Nylok nut	1
7.	Aluminum bearing spacer	2									
8.	1/2"-13 x 3 1/4" bolt	1									
9.	1/2"-13 Nylok nut	1									

